
HOGGI[®]



SHARKY User manual

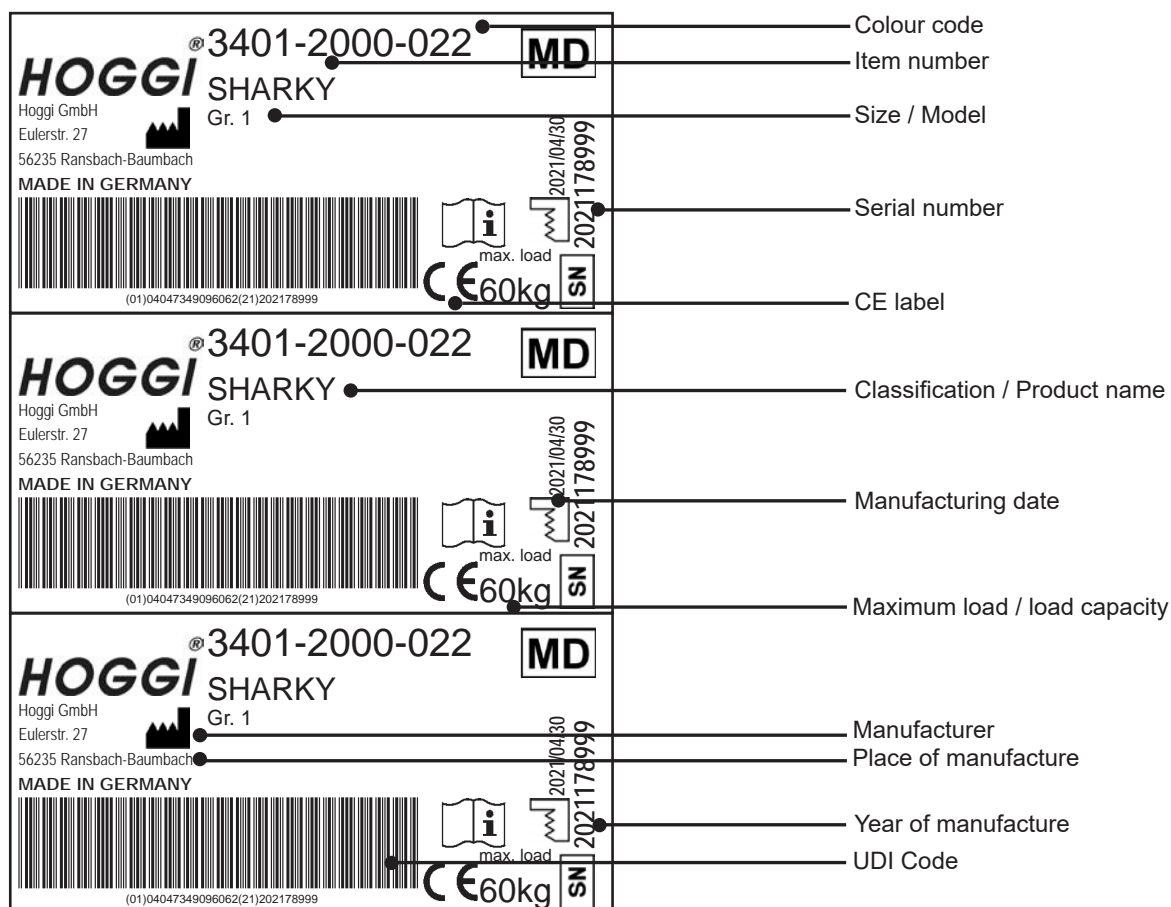
en

User manual for SHARKY

1	Model identification and basic configuration	
1.1	Model identification	3
1.2	Basic configuration	3
1.3	Environmental conditions	3
2	Common information	
2.1	Preface	4
2.2	Application	4
2.3	Declaration of conformity	4
2.4	Terms of warranty	4
2.5	Service and repairs	4
2.6	Duty to inform serious cases	4
2.7	Product safety / product recalls	4
2.8	Accessories list	5
3	Safety instructions	
3.1	Meaning of symbols	5
3.2	Common safety instructions	5
4	Delivery and preparing for use	
4.1	Delivery and preparing for use	9-11
5	Accessories	
5.1	Push handle unit	11
5.2	Footrest system	12
5.3	Headrest	14
5.4	Lateral PU-pads	15
5.5	Chest-shoulder harness	16
5.6	Lap belt	17
5.7	Pelvic retraction belt	19
5.8	Armrests with PU-pads	19
5.9	Ventral upper body support	20
5.10	Abduction block	21
5.11	Calf strap	21
5.12	Ankle hugger	22
5.13	Toilet bucket	22
5.14	Splash guard	23
5.15	PU-seat infill pad for hygiene opening	23
5.16	Bath subframe	23
5.17	Toilet adapter	24
5.18	PU-hip support pads	26
5.19	Castor lock	26
6	Transport and storage	
6.1	Transport and storage	26
7	Maintenance / service and repairs / operating life	
7.1	Maintenance / Service and Repair	28
7.2	Operating life	28
8	Specifications	
	All specifications and notes on attachments and accessories	29
9	Storage	30
10	Recycling and disposal	30

1.1 Model identification

The label is attached to the cross tube of the back base or on the right inner side of the base frame.



1.2 Basic configuration:

Base:

- compactly foldable
- height adjustable, traversable toilet height 43-52 cm
- tilt (seat angle) -10° up to 45°

Seat unit:

- removable from the base (quick release)
- PU pads on the back, seat and hip supports
- closable hygiene opening
- back angle adjustable, foldable and removable
- seat width 24, 27, 30 cm
- seat depth 27-36 cm
- back height 42 cm
- back angle 72-120°

1.3 Environmental conditions:

Environmental factors such as temperature and humidity can damage SHARKY.

The manufacturer recommends not condensing the SHARKY at temperatures over +40°C.

Caution: Prolonged exposure to the sun may cause parts of the wheelchair to become hot. Please pay attention!

2 Common Information

2.1 Preface

Thank you for selecting the **SHARKY** toilet wheelchair. We have designed this high-quality product to make your life safer and easier, and we've included this manual to help you use and care for it. Please read the following instructions to make sure you use this product as recommended. If you have any further questions, or if you have any problems, please contact your healthcare provider.

We hope that **SHARKY** meets your expectations. We reserve technical modifications regarding the specified model in this manual. Before using the wheelchair the first time, this manual has to be read and understood by patient and support personnel in order to ensure a safe handling with the toilet wheelchair.

2.2 Application

The **SHARKY** toilet wheelchair for children is used for indoor and daily use in wet areas. It is used by children and young people with a deficit in the area of sitting down and standing up for individual use in daily care / hygiene or in toilet training. Various bases guarantee numerous possible uses such as use as a toilet chair, toilet seat, bathtub insert or mobile positioning options for daily personal hygiene.

Assistance may be required due to:

- Paralysis (paraplegia / tetraplegia or paresis)
- Loss of limbs (dysmelia/lower limb amputation)
- Infantile/spastic cerebral palsy
- Spina Bifida
- Muscle and nerve disorders
- Imperfect osteogenesis
- Poliomyelitis
- There are no known contraindications when used as directed

SHARKY is able to be used for further service.

For further service the product has to be cleaned and sanitised efficiently. Afterwards the product has to be checked concerning condition, wearout and damage by an authorised technician. All damaged and inappropriate parts need to be changed. Some components can be used again, e.g. Rear wheels, steering wheels or push handles. Please see also the service manual for detailed information.

2.3 Declaration of Conformity

HOGGI GmbH as manufacturer declares under sole responsibility that the rehab-pushchair for kids and adolescents **SHARKY** meets the general safety and performance requirements to Annex I of the Regulation (EU) 2017/745 of the European Parliament and of the Council. Harmonised European Standards have been applied. Applicable harmonized standards have been applied. **SHARKY** meets the requirements of ISO 7176-8, DIN EN ISO 12182, DIN EN ISO 12183, ISO 8191-1 and ISO 8191-2.

2.4 Terms of warranty

Warranty applies only when the product is used according to the specified conditions and for the intended purposes, following all manufacturer's recommendations. The manufacturer is not responsible for damages caused by components and spare parts not approved by the manufacturer. See also § 8 of terms and conditions on: www.hoggi.de

2.5 Service and repairs

Service and repairs at **SHARKY** may only be carried out by specialized dealers. If you have any problems, contact your local dealer. For repairs, you will only receive original spare parts there.

2.6 Duty to inform serious cases

All serious incidents that have occurred in connection with the product must be reported to the manufacturer, the specialist trade and the responsible authority.

2.7 Product safety / product recalls

You can find out about new information on product safety and product recalls from specialist retailers or directly from the manufacturer at www.hoggi.de

2.8 Accessories list

- | | | |
|--------------------|---------------------------------------|-------------------|
| - Push handle unit | - Chest-shoulder harness | - Therapy table |
| - Footrest system | - Lap belt | - Abduction block |
| - Headrest | - Pelvic-retraction belt | - Calf support |
| - Lateral PU pads | - Armrests | - Ankle huggers |
| - Splash guard | - Seat infill pad for hygiene opening | - Bath subframe |
| - Toilet adapter | - PU-hip support pads | |



For Preparing, repair and service, the following tools are required:

Allen wrench, size: 3 mm, 4 mm, 5 mm und 6 mm
Socket wrench, size:: 10 mm, 13 mm, 19 mm und 24 mm

3 Safety instructions

3.1 Meaning of symbols



Caution!

Warning of possible danger of accident and injury. Warning of possible technical damage.



Information!

About use of product.



Information!

For service-personnel..



Attention!

Read manual before use!

3.2 Common safety instructions



Read manual completely before use! Familiarize yourself with handling and functions of the wheelchair before use and practice the handling. You are responsible for the safety of your child. The safety of your child could be affected if you do not follow the instructions of this manual. Nevertheless not all possible circumstances and unpredictable situations can be covered by this manual. Reason, care and circumspection are not features of the product, they are required of persons, who use the wheelchair or attend it. The person, who is using the wheelchair and its accessories should understand all instructions.

It must explained to every other person using the wheelchair and its accessories. If instructions are not clear and further explanations become necessary, or if you have further questions please contact your HOGGI dealer.



Strap your child at all times, when it is in the toilet wheelchair.



HOGGI points out, that any use beside the typical use can be dangerous. The toilet wheelchair is not suitable for jogging, running, skating or similar activities. In addition, the chair may corrode more quickly when used in swimming pools or pools. Swivelling front wheels tend to wobble at higher speed, which can cause a sudden stop and tip over of the toilet wheelchair.
Use the toilet wheelchair only at regular walking speed. Under no circumstances leave the handle bar while pushing and never push the toilet wheelchair away.



The product should only be used on solid level ground.



Use your toilet wheelchair as intended by the manufacturer. For instance, do not drive into obstacles (steps).



Pay increased attention to driving up and down gradients.
Special attention should be paid to the child falling out, the toilet wheelchair tipping over or rolling away.



The toilet wheelchair should be lifted only by touching tighten parts of the frame.



The toilet wheelchair should only be parked on horizontal, level surfaces. If you have to park on a slope, face the wheelchair uphill with the brakes engaged and ensure that the seat is in the upright position. There is a risk that the wheelchair might tip over backwards if the seat is the reclined position.



Before leaving the wheelchair and before getting into and out of it, always lock the wheel locks.



Make sure that your child does not lean too far out of the toilet wheelchair when grabbing objects (which are in front of, to the side or behind the toilet wheelchair), as the shift in the center of gravity causes a tilting or there is a risk of rollover.



Please keep packaging material away from children. Plastic packaging presents the danger of suffocation.



Never leave your child unattended in the wheelchair even when they are strapped in and the brakes engaged..



Both folding locks must be engaged before use.



Static stability is $>10,5^\circ$ inclination.
Attaching heavy bags or other weight to the push handles can adversely affect stability.



When adjusting the back incline, the seat and knee angle with the child in the seat unit, pay particular attention to the danger of clamping for the child by stretching arms or legs out into moving parts.



Don't use the footrest to get into and out of the wheelchair.



The toilet wheelchair is only approved for use by one child.



Disposal of waste: The packaging material as far as metal, aluminium and plastic parts can be recycled. The recycling must be operated according to the national and legal terms. Please ask at the city/community administration for local waste disposal companies.



Load the ventral upper body support with a maximum of 5 kg.



When stored in the folded state, no load may act on the frame.



Maximum load **SHARKY**: 60 kg.



Accessories and add-ons reduce the maximum load proportionately.



Protruding strap ends of the accessory parts could jam in the seat angle adjustment mechanism and prevent the locking bolts from engaging.
The seat could then adjust the seat angle during use.
For this reason, shorten the belt ends of accessories so that they can no longer get into the seat angle adjustment mechanism. After putting the seat unit on, check with a jerk on the seat whether the locking bolts are engaged.



Please read to visually handicapped people the manual and info material - or use electric aids. Please download or read all **SHARKY** documents on our website www.hoggi.de. In addition, product videos and product photo galleries are available online!



Whenever you change any settings on the wheelchair, make sure that you firmly tighten any screws that have been loosened.



Check the condition of the product if the packaging is damaged.



Beware of extreme temperatures. The rehab pushchair can become very hot due to direct sunlight on a radiator or in the sauna.
In extreme cold there is a risk of hypothermia. For people with insensitive skin (people who do not perceive any increase in temperature) and/or with skin damage, care must be taken that metal parts do not reach a too high temperature.
In these cases it is imperative to wear appropriate clothing to protect the skin.



Sharky should always be locked by braking the 4 casters to prevent it from rolling away unintentionally.



Only use accessories and spare parts that have been approved by HOGGI, otherwise you will endanger the safety of the child.



Adjustments and settings on the product or the accessories may only be carried out by persons who have received appropriate instruction from a medical device advisor.



4 Delivery and preparing for use

SHARKY will be supplied completely mounted.

Delivery in board: ca. 880 mm (L) x 700 mm (W) x 400 - 450 (H)

Please check the condition of the product if the packaging shows damages. Please remove the transport packaging carefully.



The original package contains the following parts:

- folded base (see illustration)
- folded seat unit and back
- Additional accessories as ordered
(These have to be mounted on the wheelchair by an authorized dealer)
- Instructions and list of tools required



To unfold please proceed as follows:

- Move the snapper on the right side of the base frame.



- Turn the snapper 90° to lock it.



- The illustration shows the locked snapper on the right.



- Move the snapper on the left side of the base frame.



- Secure the base frame with your left hand and at the same time move the base frame up on the back bar with your right hand.
- When both sliders have moved a few cm forwards, the lock on the right snapper can be released.
- The folding process can now be continued.



- Make sure that both snapper audibly snap into place.



Height adjustment:

- Pull both ratchet handles forward at the same time and move the SHARKY to the desired height position.



Make absolutely sure that no child is sitting in the SHARKY when the height is adjusted.

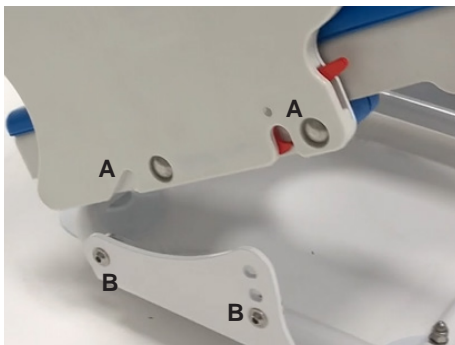


To insert the seat unit, please proceed as follows:

- Pull the release rope (as shown) and move the backrest upwards.
- Engage both bolts audibly in the desired back angle position.



- Place the seat in the frame from above as shown.
- Make sure that you first place the rear guide slots (A) of the seat unit on the two rear locking shafts (B) of the base.



A = Guide slots of the seat unit
B = Locking shafts of the base



- Place the seat unit on the front locking shafts and finally let it snap into place.



5 Accessories

5.1 Push handle unit

- Remove the back panel as shown.



- Position the push handle on the back frame as shown and insert the four M6x16 cylinder head screws provided.



- Secure the screw connection with the supplied washers and the self-locking nuts.



5.2 Attaching the footrest system

To attach (and also to remove) the footrest the smallest knee angle may **not** be preset (see marking **X**).



To avoid falls, injuries or tipping over, the footrest should not be loaded with more than 28 kg!



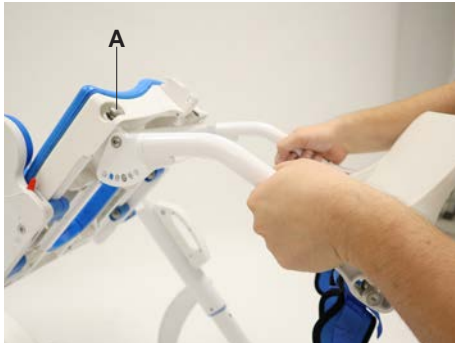
In addition, we recommend to position the seat in a tilt of 45 ° as shown.



- Guide the footrest system with both openings into both slots on the bottom of the seat at the same time.



- Make sure that the openings are hooked behind the locking shafts of the seat frame.



- Swivel the footrest forwards until the snappers audibly click into place.



Adjusting the knee angle

The knee angle can be adjusted between 78 ° and 138 ° using a locking bolt under the front edge of the seat plate.



- Pull the release rope with one hand of the locking bolt and move the knee angle system with the other hand to the desired angular position.



- Engage both bolts audibly in the desired back angle position.



Removing the footrest system

To remove (and also to attach) the footrest the smallest knee angle may not be preset (see marking X).

In addition, we recommend to position the seat in a tilt of 45 ° as shown..



- Use your index fingers to pull both heads of the snappers forward.
- Make sure to secure the footrest system to the bars.



- Move the footrest system to the rear so that both openings release from the mounting slots.
- Take off the footrest system.



5.3 Headrest

- Open the clamping lever and insert the headrest into the headrest holder from above as shown.



- Select the desired headrest height and lock the clamping lever.



- Open the clamping lever as shown and select the desired angular position of the headrest.
- Close the clamping lever.



5.4 Trunk supports

The illustration shows the clamp in the back frame for mounting the trunk support.



- Screw the trunk support holder to the clamp in the back frame as shown.
- To adjust the height of the trunk support, loosen the screw connection as shown and move the trunk support holder to the desired height position.
- Firmly tighten the screw connection again.



- Loosen the screw connection as shown to set the desired width.
- Firmly tighten the screw connection again.



- Loosen the screw connection as shown to set the desired angle.
- Firmly tighten the screw connection again.



Swiveling the trunk support away:

- Pull the pull latch up to release the locking.



- Move the trunk supports backwards



5.5 Chest-shoulder harness

Illustration shows the chest-shoulder harness.



- Guide the strap through the eyelet in the back area from the front as shown.



- Guide the strap through the bar buckle as shown.



- Guide the strap behind the cross brace of the back frame as shown.



- Guide the strap back through the bar buckle as shown.



- Guide the strap back through the bar buckle and back through the eyelet on the back as shown
- Then do the same on the other side.



- To attach the lower belts, please proceed as described under **5.6 lap belt**.

Opening the chest-shoulder harness:

- Open the fasteners on the shoulders and / or in the pelvic area.



5.6 Lap belt

- Guide the end of the strap through the bar buckle as shown.



- Guide the end of the strap through the eyelet on the base of the back as shown.



- Guide the end of the strap back through the bar buckle as shown.



- Guide the end of the strap back through the bar buckle as shown.



- Proceed accordingly on the other side.

By moving the buckle the strap length can be set.



- The lap belt opens by pressing the black release button.

The lap belt can be retightened at the belt buckle by pulling the belt end (fine adjustment).



5.7 Pelvic retraction belt

Illustration shows the pelvic retraction belt.



- To assemble, screw the pelvic retraction belt as shown into the thread of the back base.

- Then do the same on the other side.



- To adjust the depth of the belt, loosen the screw connection as shown and select the desired position.



- The toothed belt can now be tightened by pulling it outward. The teeth engage position by position in the buckles.

- To release the belt, the buckle must be unlocked and the toothed belt pulled out.



5.8 Armrests

Illustration shows the height-adjustable and removable armrest.



- Press the release button as shown and select the desired armrest height.



- Make sure that it is securely locked.

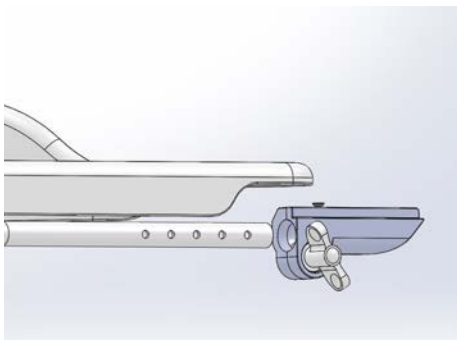


The armrest can also be removed.

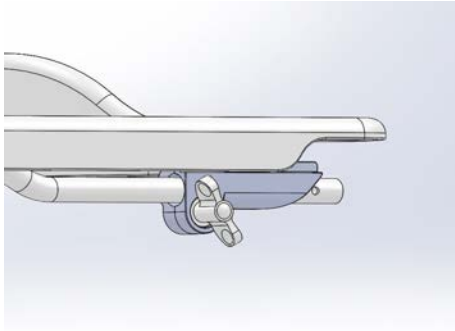


5.9 Ventral upper body support

- Illustration shows the ventral upper body support.



- Place the ventral upper body support with the frame construction in the holders below the armrest pads.



- Make sure that it is securely locked.



5.10 Abduction block

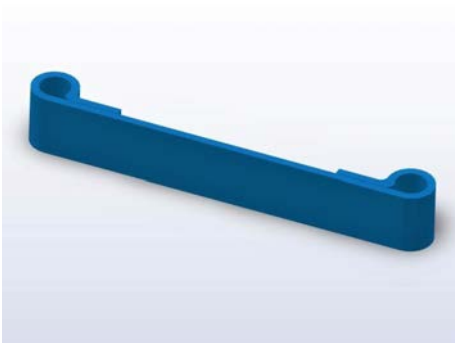
Insert:

- Position the abduction block as shown.
- Swing the abduction wedge upward and press it into the anchorage.



Removal:

- Activate the locking hook and pull the abduction block out towards the front.



5.11 Calf strap

Illustration shows the calf strap.



- Open the thumbscrews on both sides of the footrest bearings.
- Pull the footrest off downwards.



- Insert the calf strap as shown and position it at the desired height.
- Reinstall the footrest at the desired height and close the thumbscrew on both sides of the footboard bearings.



5.12 Ankle hugger

Illustration shows an ankle hugger.

To assemble the ankle hugger, please proceed as described under **5.6 lap belt**.



5.13 Toilet bucket

Insert:

- Place the toilet bucket in the guide rails from the rear.
- Make sure that it is securely locked.



Removal:

- Pull the toilet bucket out of the guide rails from the rear.



Illustration shows the guide rails. Bottom view.



5.14 Splash guard

Illustration shows splash guard.

- Position the splash guard as shown before use.
- Remove the splash guard after use.



5.15 PU seat infill pad for hygiene opening

The seat can be converted into a closed seat with the appropriate cover. The PU cover is inserted precisely into the recess.



- The hygiene insert can be easily removed by pulling it out to the rear and can also be reinserted.

The hygiene insert can be easily removed by pulling it out to the rear and can also be reinserted.



Illustration shows the hygiene opening without the infill pad.



5.16 Bath subframe

The SHARKY bath base is suitable for use in all conventional baths and works with the use of the accompanying seat unit.

Before each use, it is imperative to check the bathtub underframe for damage!



- Before inserting the seat unit, make sure that the suction cups make even contact everywhere around a clean and level surface.
- Afterwards, press the bath subframe firmly on and check whether it is firmly held in place.



- The seat unit can now be put on. In a slightly canted position, the rear guide slots are first placed on the detent shafts of the bracket.



- The seat unit can then be lowered onto the front detent shafts until the red release levers audibly engage.

Depending on the individual needs of the child, it must be secured with appropriate straps to prevent it from falling out!



- To remove the underframe from the tub again, the pull must be made over the corresponding tabs.

If the pull is not via the lugs but via the base itself, damage to the suction cups cannot be ruled out!



5.17 Toilet adapter

- The SHARKY toilet adapter is suitable for use on all conventional toilets and works with the use of the accompanying seat unit.

Before each use, the toilet adapter must be checked for damage.



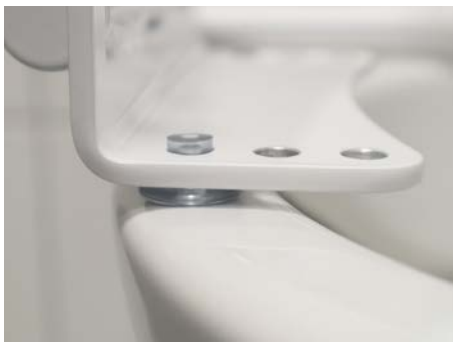
- The adapter plate must first be installed in the appropriate positions on the toilet.
- Screw connections must be tightened firmly here, to guarantee a secure hold.



- The adapter frame is plugged into the holder via the front.



- Make sure that the tripod springs engage audibly on both sides. This ensures that the toilet adapter is firmly attached.



- The escapement feet must rest centrally on the ceramic of the toilet. Depending on the shape of the toilet, the feet must be mounted in a different hole position.



- The seat unit can now be put on. In a slightly canted position, the rear guide slots are first placed on the detent shafts of the bracket.



- The seat unit can then be lowered onto the front detent shafts to allow the red release levers to audibly engage.

Depending on the individual needs of the child, it must be secured with appropriate straps to prevent it from falling out!



5.18 PU-hip support pads

Illustration shows lateral PU-pads.



5.19 Castor lock

SHARKY is equipped with 4 casters, each of which is equipped with a total stop including directional lock.

These prevent unintentional rotation/twisting of the wheels.

To lock the brake, press the brake lever down with your toe as shown.

This function can be guaranteed independently of the respective wheel position can be ensured.



To unlock the castor lock push the lock paddel up with your toe.



6 Transport and storage

6.1 Transport and storage

SHARKY can be transported or stored with or without a seat, with or without footrest hanger.



The smallest packing size can be achieved with removed seat and footrest hanger.

7 Maintenance/ Service and Repairs and operating life

7.1 Maintenance/ Service and Repair

Your **SHARKY** is CE approved. The manufacturer herewith guarantees that this medical product as a whole conforms to the basic safety and performance requirements in accordance with Annex I to Regulation (EU) 2017/745 of the EU Parliament and of the Council. The wheelchair should be checked for correct function before every use. The items listed in the following table must be checked by the user at the indicated intervals.

Check	daily	weekly	monthly
Function test of the brake	X		
Testing the screw connections		X	
Air pressure (indicated on the side wall of the tyre)		X	
Visual inspection of wearing parts such as wheels and bearings			X
Contamination on bearings			X
Quick release (rear wheels)	X		
Check firmness of the footrest		X	
Function test of the tilt mechanism			X
Testing adjustment of the back angle			X

Should any defects become obvious, please contact your authorized HOGGI dealer to eliminate them. We also recommend that you have your **SHARKY** serviced by your authorized dealer every twelve months.



Instructions for cleaning and maintenance

- Clean all frame components and plastic parts using mild detergents only. (e.g. Sagrotan).
- Padding parts can be washed at 40 °C. If washed in a washing machine, put them in a linen bag or a pillow case. Use disinfectants that are commonly available in the household (e.g. Sagrotan).
- In most cases, wiping with a damp cloth is sufficient.
- Do not use your **SHARKY** in salt water.
- Keep sand or other particles from damaging the wheel bearings.
- If your **SHARKY** gets wet, towel-dry it as soon as possible.
- Hair and dirt particles generally accumulate between the caster wheel and fork. This can restrict the caster wheels from rotating smoothly. Remove the caster and thoroughly clean the fork and caster using a mild detergent.
- The rear wheels feature a quick-release system. To keep this system operational, ensure that no dirt adheres to the quick-release axle or axle housing.
The quick-release axle should also be lightly lubricated regularly with resin-free sewing machine oil.
- Screw connections should be checked frequently, in particular when beginning to use the wheelchair and after any adjustment. If a screw connection becomes loose repeatedly, consult your dealer.

7.2 SHARKY life cycle:

The expect life cycle of **SHARKY** amount to 5 years, dependent on use intensity and maintenance. We recommend a yearly check by your authorized dealer. In case of any disorders or defects it's intended to hand over the wheelchair the health care supply store or your authorized dealer.

8 Specifications

	Size 1	Size 2
Seat width	24/27/30 cm	29/32/35 cm
Seat depth	27 - 36 cm	27 - 40 cm
Backrest height	45 cm	55 cm
Maximum, traversable toilet height	52 cm	52 cm
Seat angle	-10° bis +45°	-10° bis +45°
Back angle	72° - 120°	72° - 120°
Footrest angle	80° - 100°	80° - 100°
Armrest height	14,5 - 20,5 cm	14,5 - 20,5 cm
Wheel diameter	75 mm, 100 mm	75 mm, 100 mm
Turning radius min.	380 mm	380 mm
Turning area between two walls	926 mm	926 mm
Load capacity**	60 kg	60 kg
Weight (seat)	9 kg	10 kg

**ATTENTION!**

*Accessories and mounting parts reduce the remaining vehicle load capacity.

**ATTENTION!**

Weight refer to a **SHARKY in basic configuration.

9 Storage



SHARKY can be transported and/or stored in the folded state.

However, it is possible to dismantle the toilet wheelchair into a few smaller packages in a few easy steps.

The smallest pack size can be achieved with the seat and the knee angle system removed.



Care instructions!
Clean **SHARKY** thoroughly before storing it. Be sure to follow the care instructions on page 28.

10 Recycling and disposal

SHARKY is made of recyclable materials.

The product packaging as well as all metal, aluminum and plastic parts can be recycled.

Disposal must be carried out in accordance with the respective national, statutory regulations. Please ask the city or the municipal administration for local waste disposal company.

HOGGI GmbH
Eulerstraße 27 • 56235 Ransbach-Baumbach • Deutschland
Telefon: (+49) 2623 / 92 499-0 • Telefax: (+49) 2623 / 92 499-99
E-mail: info@hoggi.de • www.hoggi.de